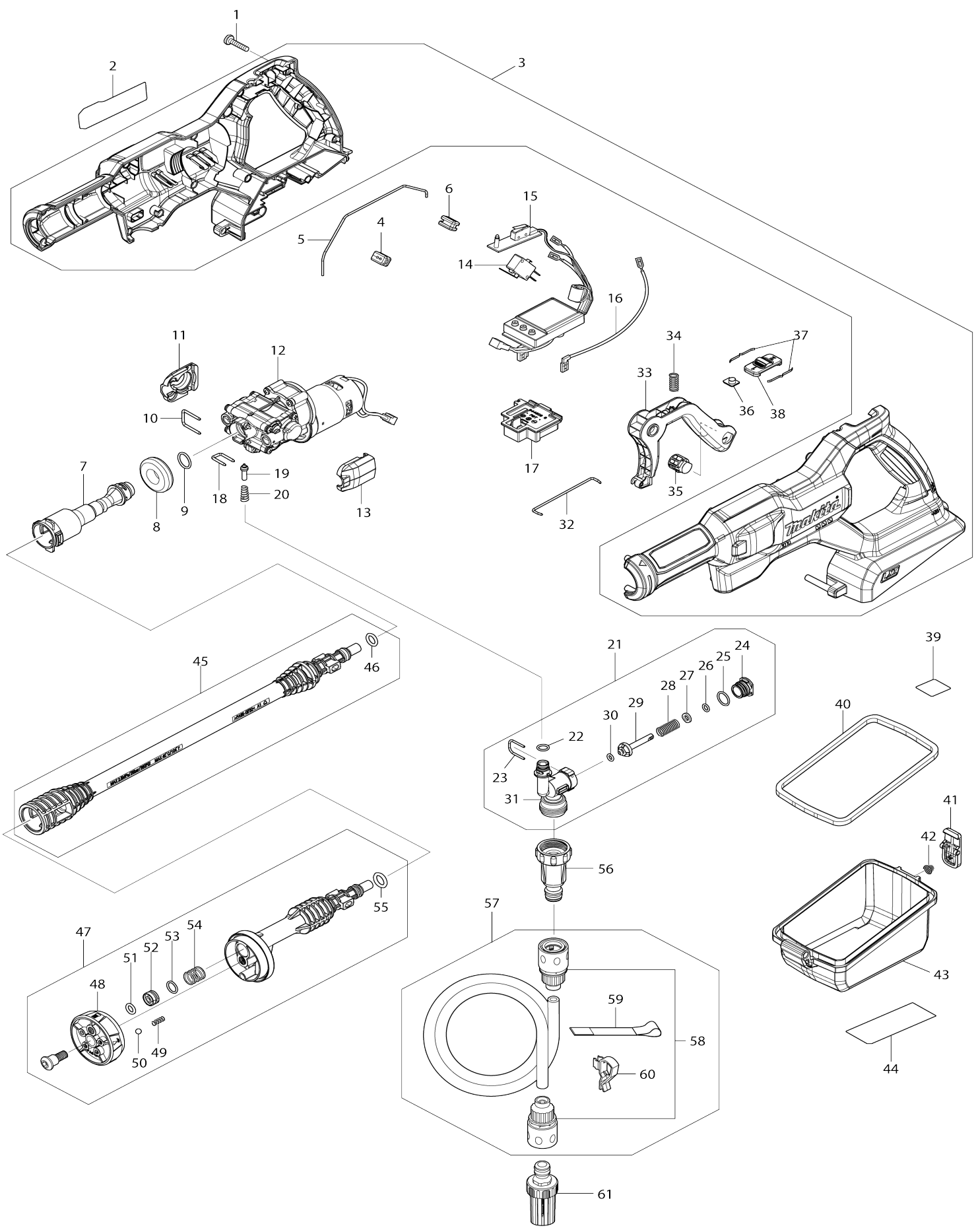


Model No.DHW180 CORDLESS PRESSURE WASHER



Model No.DHW180 CORDLESS PRESSURE WASHER

Obj. č.	Obj. č.	Popis	Možnost záměny	Množství	Nový/Stary	Poznámka 1	Poznámka 2
001	LX00000005	TAPPING SCREW ST3X12		15			
002	LX00000006	NAME PLATE EU		1			
003	LX00000071	HOUSING SET		1		obal stroje	
C10	263005-3	vymezovací čep 6		2			
004	LX00000008	WIRE GROMMET 2 HOLES		1		pr	
005	LX00000009	ROUND SEAL 2X200		1		t	
006	LX00000010	WIRE GROMMET 4 HOLES		1		pr	
007	LX00000072	OUTLET PIPE COMP.		1		trubka	
008	LX00000011	SILICONE RING 17		1		krou	
009	LX00000012	O-RING 15.5X2		1		o-krou	
010	LX00000013	U TYPE PIN 2.5X18.5		1			
011	LX00000014	PUMP MOUNT PAD		1		podlo	
012	LX00000015	MOTOR & PUMP ASSY		1			
C10	LX00000016	MOTOR WITH PINION GRAR COMP.		1			
C20	LX00000017	PAN HEAD SCREW M4X12		2			
013	LX00000014	PUMP MOUNT PAD		1		podlo	
014	LX00000018	SWITCH		1		p	
015	LX00000019	CONTROLLER UNIT		1			
016	LX00000020	LEAD UNIT 18AWG 210MM RED		1		veden	
017	644809-6	TERMINAL		1		kontakt	
018	LX00000021	U TYPE PIN 2.5X11.5		1			
019	LX00000022	VALVE		1		ventil	
020	LX00000023	CONICAL SPRING 7-9X20 INOX		1		pru	
021	LX00000073	INLET VALVE SET		1		ventil	
021		INC. 22-31					
022	LX00000024	O-RING 8.6X1.7		1			
023	LX00000025	U TYPE PIN 2X16		1			
024	LX00000026	INLET VALVE PLUG		1			
025	LX00000027	O-RING 12		1			
026	LX00000028	O-RING 5.3		1			
027	LX00000029	PLASTIC WASHER 6		1			
028	LX00000030	COMPRESSION SPRING8.5X39 INOX		1			
029	LX00000031	INLET VALVE STEM		1			
030	LX00000032	O-RING 4.5		1			
031	LX00000033	INLET VALVE BODY		1			
032	LX00000034	LINK ROD		1		ty	
033	LX00000035	TRIGGER		1		spou	
034	LX00000036	COMPRESSION SPRING7.5X25 INOX		1		pru	
035	LX00000037	TRIGGER LOCK		1		z	
036	LX00000038	INDICATOR LAMP LENS		1		kryt kontrolky	
037	LX00000039	LEAF SPRING INOX		2		pru	
038	LX00000040	SPEED CHANGE LEVER		1		p	
039	LX00000041	SERIAL NUMBER LABEL		1			
040	LX00000043	BATTERY CASE SEAL RING		1		t	
041	LX00000044	BATTERY CASE LATCH		1		z	
042	LX00000045	CONICAL SPRING 5-10X6.3 INOX		1		pru	

043	LX00000046	BATTERY CASE		1		pouzdro baterie	
044	LX00000047	WARNING LABEL		1			
045	LX00000049	EXTENSION PIPE 350MM ASSY		1		trubka	
045		INC. 46					
046	LX00000076	O-RING 9.5X2.65		1			
047	LX00000050	5 PATTERNS SPLAYER NOZZLE ASSY		1		tryska	
047		INC. 48-55					
048	LX00000077	5 PATTERNS SPLAYER NOZZLE		1			
049	LX00000051	COMPRESSION SPRING 5.2X12 IN OX		1			
050	LX00000052	STEEL BALL 7/32"		1			
051	LX00000053	O-RING 7.5X2.5		1			
052	LX00000078	PLASTIC SLEEVE 6		1			
053	LX00000054	O-RING 10.5X1.8		1			
054	LX00000055	COMPRESSION SPRING 14X15 IN OX		1			
055	LX00000076	O-RING 9.5X2.65		1			
056	LX00000056	FILTER ASSY		1		filtr	
057	LX00000079	HOSE ASSY 8MMX6M(5/16"X19.7 FT)		1		hadice	
057		INC. 58-60					
058	LX00000057	HOSE END CONNECTOR 8MM(5/16")		2			
059	LX00000058	HOSE BAND		1			
060	LX00000059	HOSE CLIP		1			
061	LX00000060	STRAINER ASSY		1		s	
A01	LX00000063	CLEANER PIN 0.6		1			
F01	LX00000002	ANGLE NOZZLE		1			
F02	LX00000003	BRUSH		1			
F03	LX00000001	FOAM NOZZLE		1			
F04	LX00000004	WATER BOTTLE ADAPTER		1			

Prosím uveďte objednáč í číslo dílu v objednávce

Datum tisku 08. 11. 2024